

RAVD

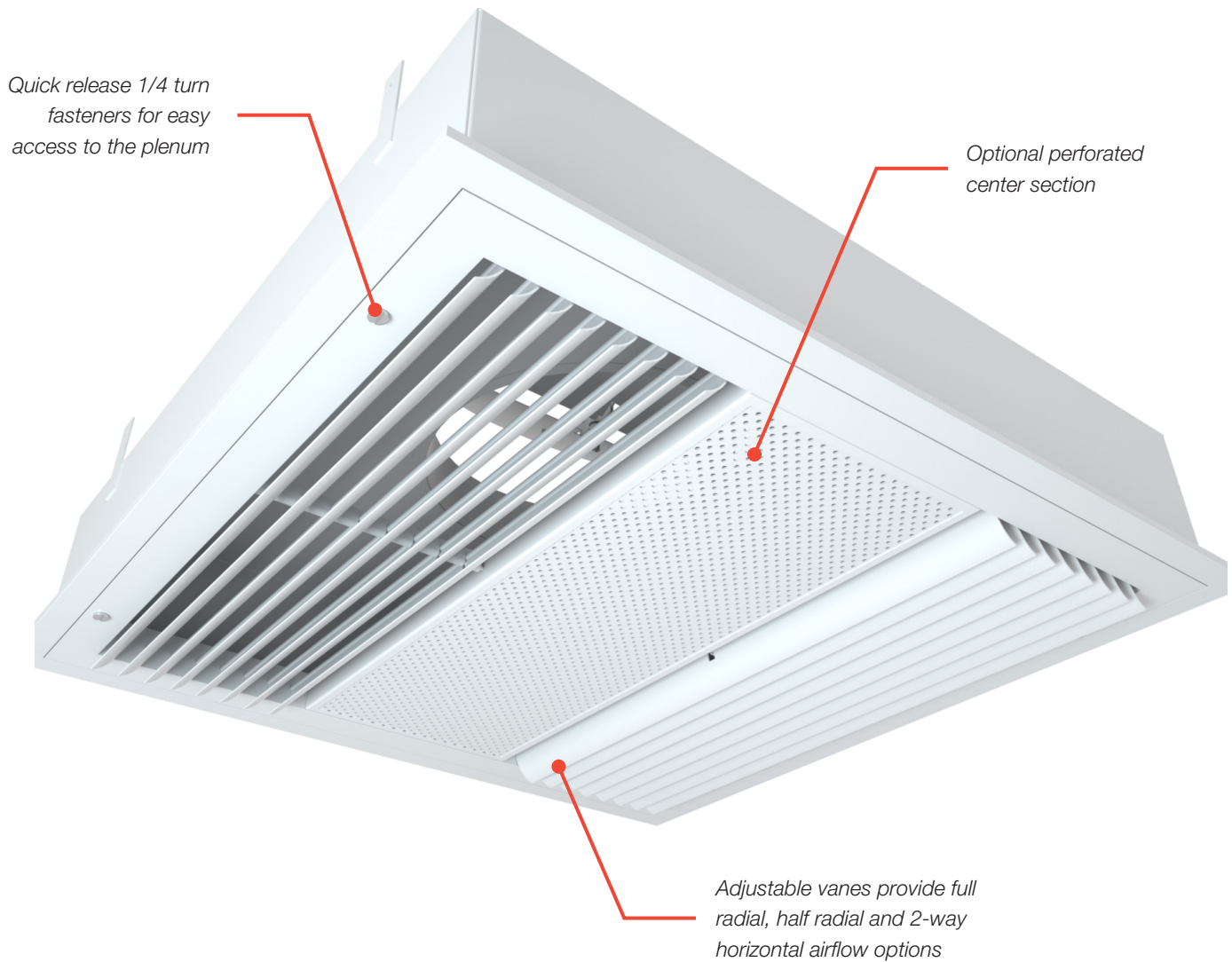
RADIAL ADJUSTABLE VANE DIFFUSER



RAVD

Radial Adjustable Vane Diffuser

The Radial Adjustable Vane Diffuser (RAVD) is designed for high capacity airflow and produces a low velocity, multi-directional air pattern with field-adjustable vanes.

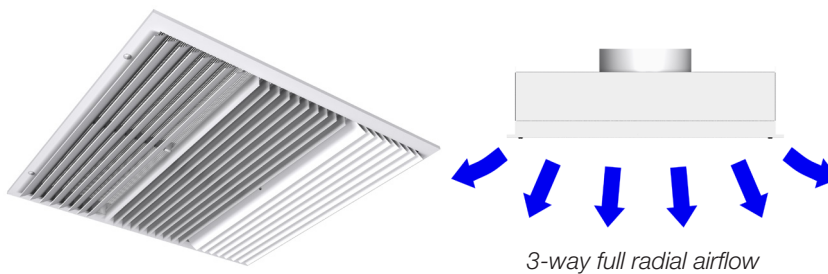
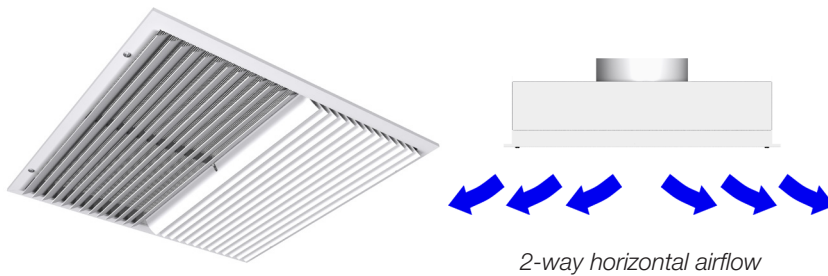
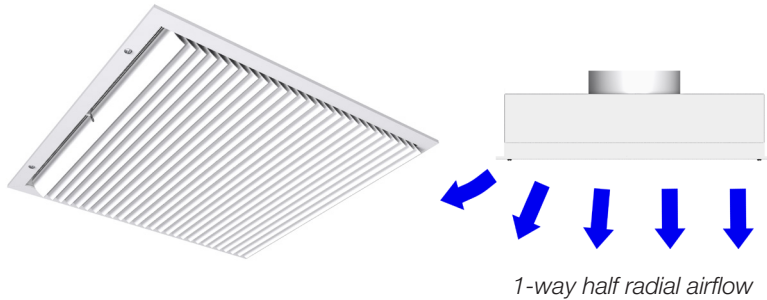


RAVD

Radial Adjustable Vane Diffuser

AIRFLOW FLEXIBILITY

- + The RAVD is available with a 2-way full radial, 1-way half radial or 2-way horizontal air pattern, and features field adjustable vanes for fine tuning of the airflow pattern.
- + An optional center perforated panel ensures a consistent and predictable blow pattern directly below the diffuser.



TYPICAL APPLICATIONS

The radial air pattern and low noise level of the RAVD allows for higher air volumes than conventional diffusers, making it suitable for laboratories, cleanrooms, medical facilities and kitchens.

CONSTRUCTION

- + Material
 - Steel
 - Aluminum
- + Options
 - Perforated center section
 - Adjustable inlet damper

RAVD

Radial Adjustable Vane Diffuser

CLEANING & MAINTENANCE

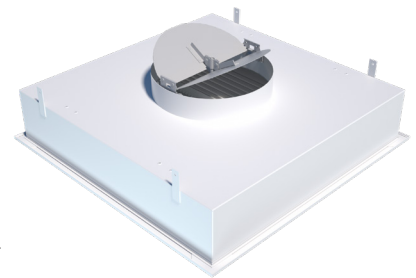
- + RAVD units satisfy all ASHRAE 170 requirements for diffuser cleaning and maintenance.
- + Powder coat paint finish formulated for routine exposure to hospital grade cleaning solutions and disinfectants.
- + Stainless steel 1/4 turn fasteners and retainer cables provide straightforward and convenient access to the plenum for cleaning or damper adjustment.



Designed for easy cleaning

ADJUSTABLE INLET DAMPER

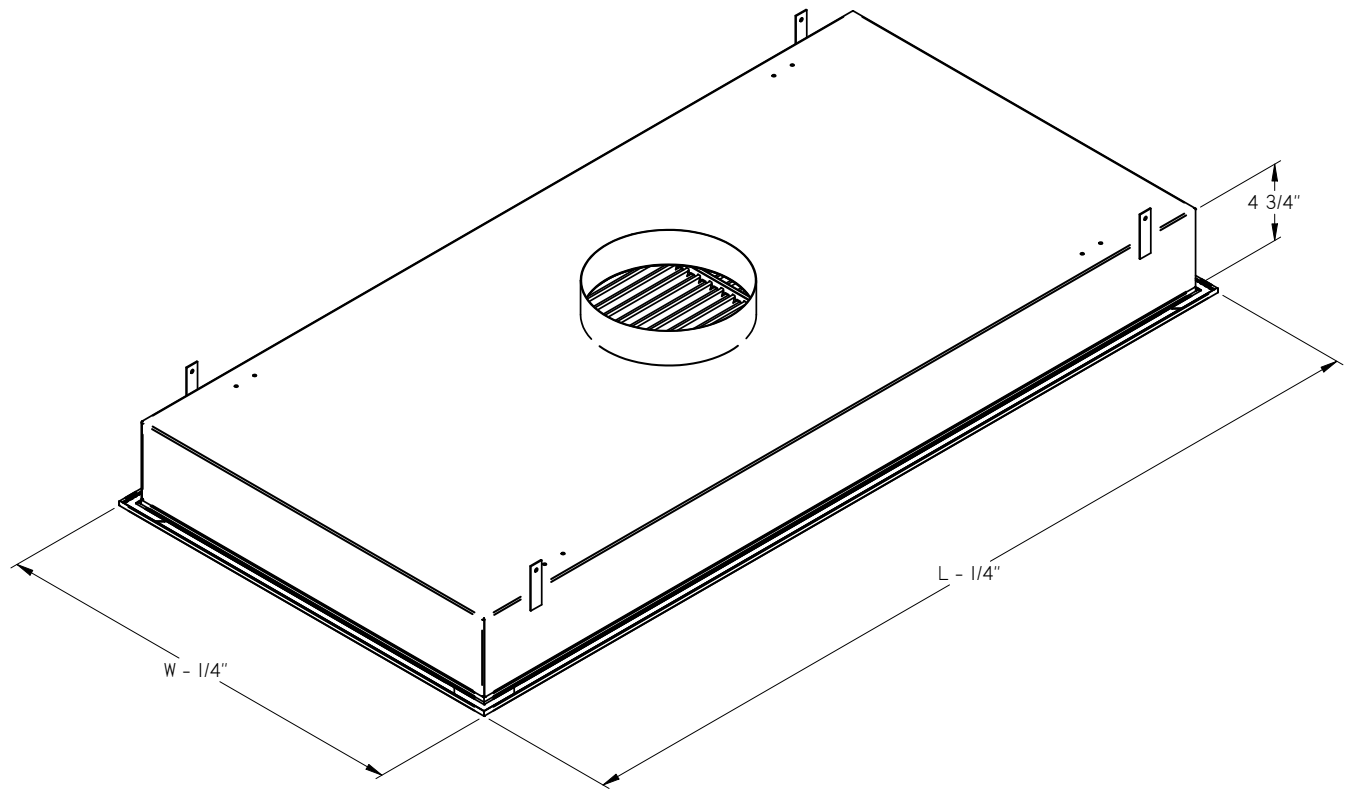
- + The optional butterfly-style inlet air damper allows for air balancing and fine tuning, ensuring delivery of the desired quantity of air.
- + The optimized blade design minimizes sound and pressure drop.
- + Aluminum or stainless steel construction.



Adjustable inlet damper



DIMENSIONAL DATA



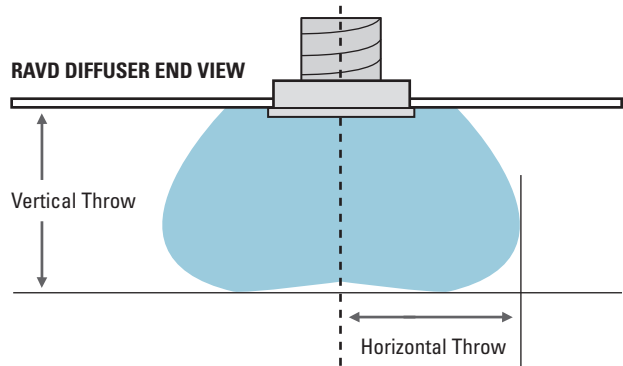
Nominal Sizes	
W x L	Inlet Size
24 in. x 24 in.	8 in., 10 in.
24 in. x 48 in.	10 in., 12 in.

PERFORMANCE DATA

Air Pattern	Unit Size (in.)	Inlet Size (in.)	Air Flow (cfm)	Static Pressure (in. w.g.)	Total Pressure (in. w.g.)	Sound (NC)	Throw (ft.) 100-75-50 fpm					
							Vertical Cooling			Horizontal Cooling		
							5°F	10°F	15°F	5°F	10°F	15°F
1-Way Radial Pattern	24 x 24	8	200	0.028	0.049	-	1-2-4	1-3-5	1-3-5	1-3-4	1-4-5	1-4-5
			300	0.064	0.110	23	1-2-4	1-3-5	2-4-6	2-4-6	2-4-6	2-4-6
			400	0.114	0.196	32	1-3-5	2-4-5	2-4-6	3-4-6	3-5-7	3-5-7
		10	300	0.049	0.068	-	1-2-4	1-3-5	2-4-6	2-4-5	2-4-6	2-4-6
			400	0.088	0.121	26	1-3-5	2-4-5	2-4-6	3-4-6	3-5-7	3-5-7
			600	0.198	0.273	38	2-4-7	3-5-9	3-3-9	4-6-8	5-7-9	5-7-9
	24 x 48	10	400	0.034	0.067	20	1-3-4	3-4-5	3-5-6	3-3-4	4-4-5	4-5-5
			600	0.075	0.151	32	2-4-5	5-5-6	5-6-8	4-4-5	5-5-6	5-6-6
			800	0.134	0.268	41	4-5-6	6-7-8	7-8-9	4-5-6	5-6-6	6-7-7
		12	600	0.052	0.088	25	3-4-5	3-4-6	3-5-6	3-4-6	3-5-7	3-5-7
			800	0.092	0.157	35	4-5-6	4-5-6	4-6-7	5-6-8	5-6-8	5-7-9
			1000	0.144	0.246	42	4-5-6	4-6-7	4-6-8	5-7-9	6-8-9	7-9-10
	12 x 48	8	200	0.018	0.039	-	1-3-5	1-4-6	1-4-7	0-2-4	0-2-4	0-2-3
			300	0.041	0.087	24	1-4-5	3-5-7	3-6-8	3-5-7	2-4-6	2-4-5
			400	0.073	0.155	33	3-5-7	4-6-8	5-7-9	4-7-9	4-6-8	5-6-7
3-Way Full Radial Pattern	24 x 24	8	200	0.023	0.043	-	0-1-6-7	1-1-6-7	1-2-7-8	0-1-2-3	0-1-2-3	0-1-2-3
			300	0.051	0.097	23	0-1-6-7	1-2-7-8	1-2-8-9	0-1-3-4	0-1-3-3	1-1-3-3
			400	0.091	0.173	33	1-2-7-8	1-2-8-9	2-3-8-9	1-2-3-5	1-2-3-4	1-2-3-4
		10	300	0.035	0.054	-	0-1-5-8	1-1-5-8	1-2-8-9	1-2-3-4	1-2-3-3	1-2-3-3
			400	0.063	0.096	22	1-2-5-8	1-2-6-9	2-3-8-9	1-2-4-5	2-3-3-4	2-3-3-4
			600	0.141	0.217	36	1-2-6-9	2-3-8-9	2-4-9-10	3-3-4-7	3-3-4-6	2-3-5-5
	24 x 48	10	400	0.038	0.072	23	1-2-2-3	2-3-3-4	2-3-4-5	1-1-2-3	1-1-2-5	2-2-3-5
			600	0.086	0.161	35	2-3-4-5	3-5-6-8	4-5-7-9	2-3-4-5	3-4-6-7	3-5-6-7
			800	0.152	0.286	44	3-4-6-8	4-6-8-9	5-6-8-10	3-5-6-7	4-5-7-8	4-6-7-8
		12	600	0.058	0.095	27	2-2-6-7	3-3-6-8	3-4-7-9	2-3-5-6	3-3-5-7	3-4-6-7
			800	0.104	0.169	36	2-4-6-8	3-5-8-9	4-6-8-9	4-5-6-8	4-6-7-8	4-6-7-9
			1000	0.162	0.262	42	3-4-7-8	4-5-8-9	4-5-8-10	6-7-8-8	7-8-9-9	7-8-9-9

Performance Notes:

1. Units are tested in accordance with ASHRAE Standard 70-2006.
2. Air flow is in cubic feet per minute, cfm.
3. All pressures are in inches of water, in. w.g.
4. The NC values, sound pressure level, are based on a room absorption of 10 dB re 10⁻¹² watts and one diffuser.
5. Blanks "-" indicate an NC value less than 20.





Product Improvement is a continuing endeavour at Price. Therefore, specifications are subject to change without notice. Consult your Price Sales Representative for current specifications or more detailed information. Not all products may be available in all geographic areas. All goods described in this document are warranted as described in the Limited Warranty shown at priceindustries.com. The complete Price product catalog can be viewed online at priceindustries.com.